

SECA GATE VALVE FLANGE END

MODEL : GV 203 S 10K

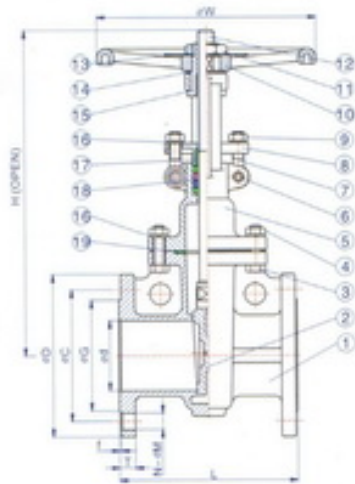


FEATURES:

- FACE TO FACE DIMENSION: JIS B2002 / ANSI B16.10
- END FLANGE DIMENSIONS: JIS B2239 / ANSI B16.5
- DESIGN: ANSI B16.34
- TEST: JIS B2203 / API 598
- INVESTMENT CASTING BODY

TEST PRESSURE:

SHELL (BY WATER)	ANSI-150LB	JIS-10K	
	450PSI	2.1MPa	
	32kg/cm ²	21.5kg/cm ²	
SEAT	BY WATER	315PSI	1.6MPa
		22kg/cm ²	16.5kg/cm ²
	BY AIR	85PSI	0.6MPa
		6kg/cm ²	6kg/cm ²



MATERIALS LIST:

NO.	PART NAME	MATERIAL
1	BODY	SCS13/CF8 SCS14/CF8M
2	DISC	SCS13/CF8 SCS14/CF8M
3	BONNET BOLT	SUS304
4	BONNET NUT	SUS304
5	BONNET	SCS13/CF8 SCS14/CF8M
6	HINGE PIN	SUS304
7	EYE BOLT	SUS304
8	GLAND	SCS13
9	EYE NUT	SUS304
10	HAND WHEEL	FGD
11	NUT	BRONZE
12	STEM	SUS304 SUS316
13	NAME PLATE	SUS304
14	SPRING	BRONZE
15	YOKE SLEEVE	BRONZE
16	SPRING WASHERS	SUS304
17	GLAND PACKING	PTFE
18	PACKING	PTFE
19	GASKET	* PTFE / 304+GRAPHITE

* 5"UP GASKET: SS304+GRAPHITE

DIMENSIONS:

SIZE	d	L	H	W	D		C		G		I		T		N-ØM	
					10K	150	10K	150	10K	150	10K	150	10K	150		
1/2"	15	115	182	120	95	89	70	60.5	51	35	1	1.6	12	12.1	4-Ø15	4-Ø16
3/4"	20	120	195	120	100	98	75	70.0	56	43	1	1.6	14	12.1	4-Ø15	4-Ø16
1"	25	125	207	120	125	108	90	79.5	67	51	1	1.6	14	12.1	4-Ø19	4-Ø16
1 1/4"	32	140	234	200	135	117	100	89.5	76	64	2	1.6	16	12.7	4-Ø19	4-Ø16
1 1/2"	40	165	294	200	140	127	105	98.5	81	73	2	1.6	16	14.3	4-Ø19	4-Ø16
2"	50	178	335	200	155	132	120	120.5	96	82	2	1.6	16	15.9	4-Ø19	4-Ø19
2 1/2"	65	190	393	200	175	140	139.5	116	105	2	1.6	18	17.5	4-Ø19	4-Ø19	
3"	80	203	467	250	185	150	152.5	126	127	2	1.6	18	19.1	4-Ø19	4-Ø19	
4"	100	229	549	250	210	175	190.5	151	157	2	1.6	18	23.9	4-Ø19	4-Ø19	
5"	125	254	630	300	250	210	216.0	182	186	2	1.6	20	23.9	4-Ø23	4-Ø22	
6"	150	267	743	300	280	240	241.5	212	216	2	1.6	22	25.4	4-Ø23	4-Ø22	
8"	200	292	910	350	330	290	298.5	262	270	2	1.6	22	28.6	12-Ø23	4-Ø22	
10"	250	330	1097	400	400	355	352.0	324	324	2	1.6	24	30.2	12-Ø25	12-Ø25	
12"	300	366	1285	400	445	483	480	432.0	368	381	3	1.6	24	31.8	16-Ø25	12-Ø25