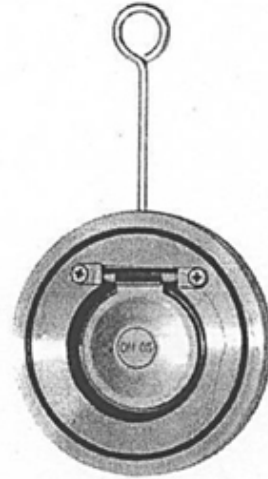
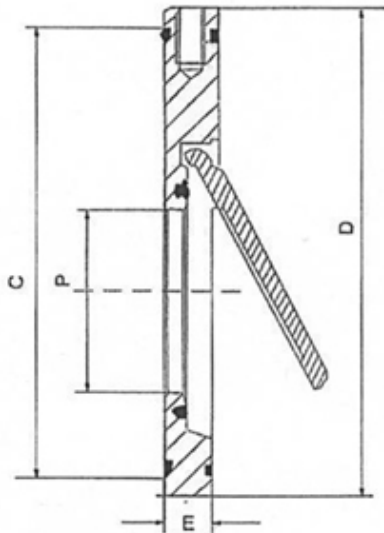


# SECA THIN WAFER SWING CHECK VALVE

## MODEL: TW-210



### MATERIALS LIST

PART	TYPE A	TYPE B
BODY	*STEEL	316SS
DISC	*STEEL	316SS
SEAT RING	NBR/EPDM	VITON
FLANGE RING	NBR/EPDM	VITON

\*STEEL AND GALVANIZED OR CHROME PLATED

Normal pressure	PN16
Seal test pressure	1.76MPa
Strength test pressure	2.4MPa
Suitable temperature	NBR:-10 - +80 °C
	EPDM:-10 - +120 °C
	VITON:-10 - +150 °C
Medium	Fresh water,Sea water,Waste water,food stuff, All kinds of oil,All kinds of acid and alkaline liquid etc.

### DIMENSIONS(mm)

DN	D	P	E	C	WEIGHT(Kgs)
50	109	32	14	87	0.8
65	129	45	14	109	1.2
80	144	56	16	119	1.45
100	164	75	18	147	2.3
125	194	98	18	167	3.5
150	220	120	20	198	4.15
200	275	164	22	248	7
250	330	210	26	308	12.1
300	380	235	28		